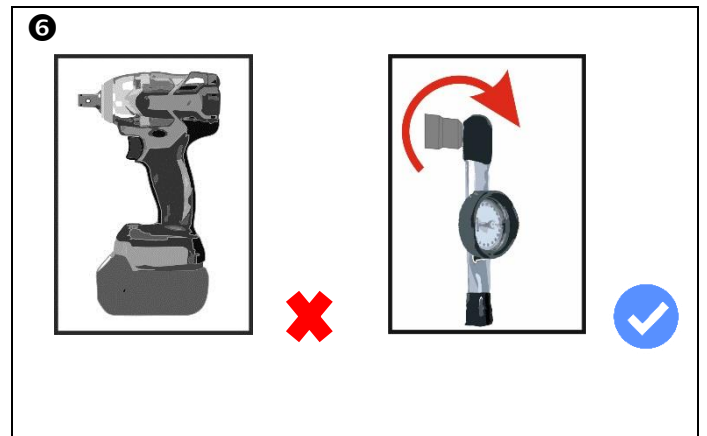
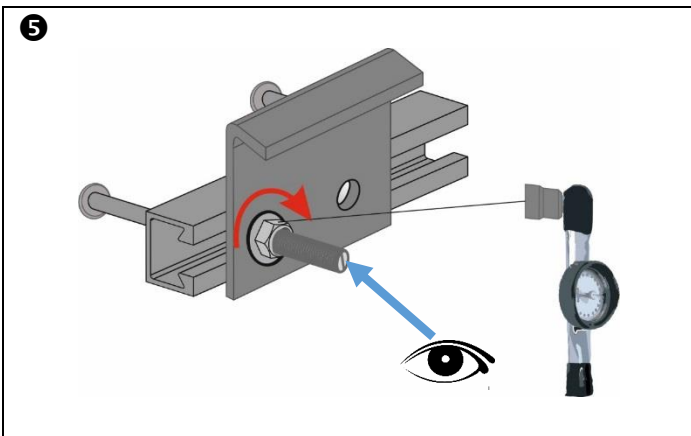
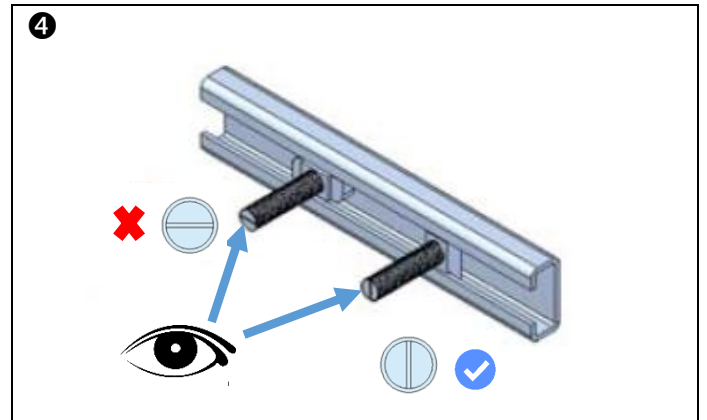
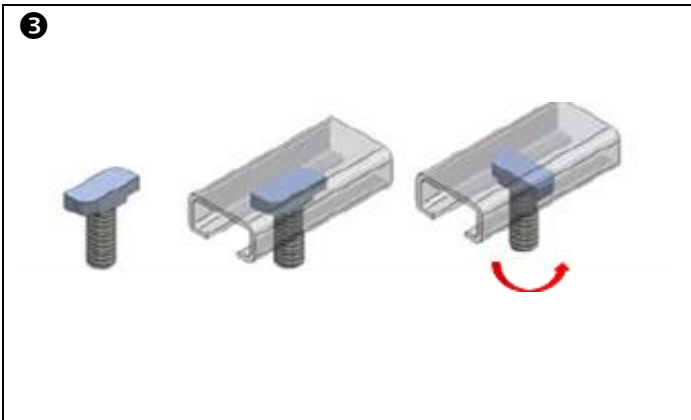


2

HS 28/15	28/12, 28/15, 28/28, 26/26	
HS 38/17	38/17, 36/20, 36/36	
HS 41/22	41/22, 41/41, 41/62, 41/82	
HS 40/22	40/22, 40/25, K422	
HS 50/30	49/30, 50/30, 50/40, 52/34, 55/42	
HS 72/48	72/48, 72/49	



Anzugsdrehmomente für HS Schrauben / Tightening torques for HS screws

Gewinde / Thread	Anzugsdrehmoment /Torque [Nm]		
	Güte/grade 4.6 / A4-50	A4-70	Güte 8.8
M 6	3		10
M 8	8	15	24
M 10	15	30	48
M 12	25	50	70
M 16	60	125	200
M 20	120	245	400
M 24	200	420	680
M 27	340		460
M 30	900		1200